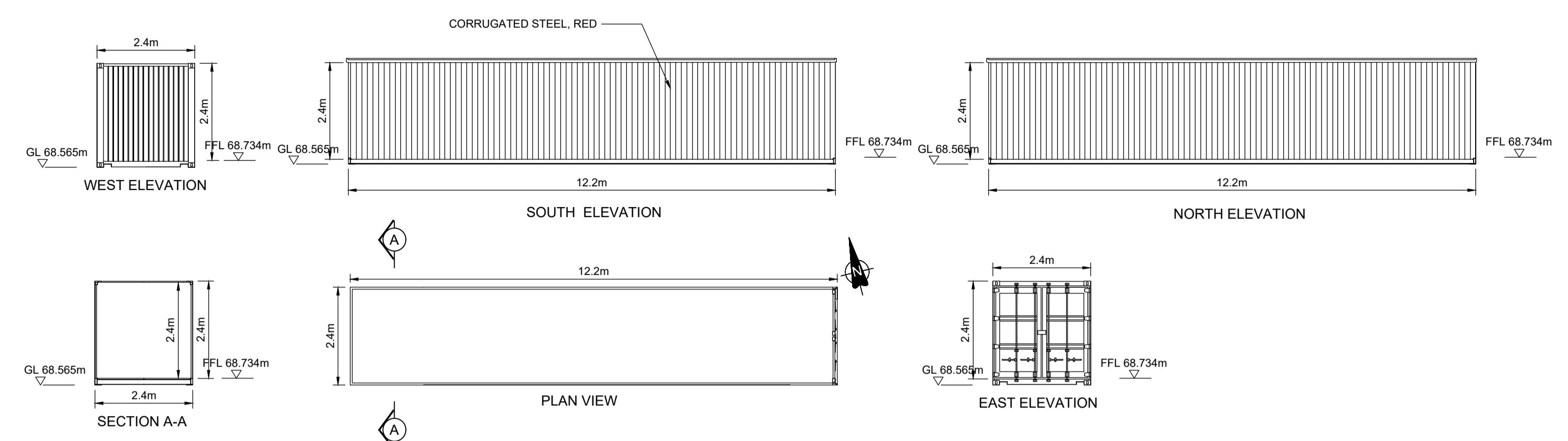
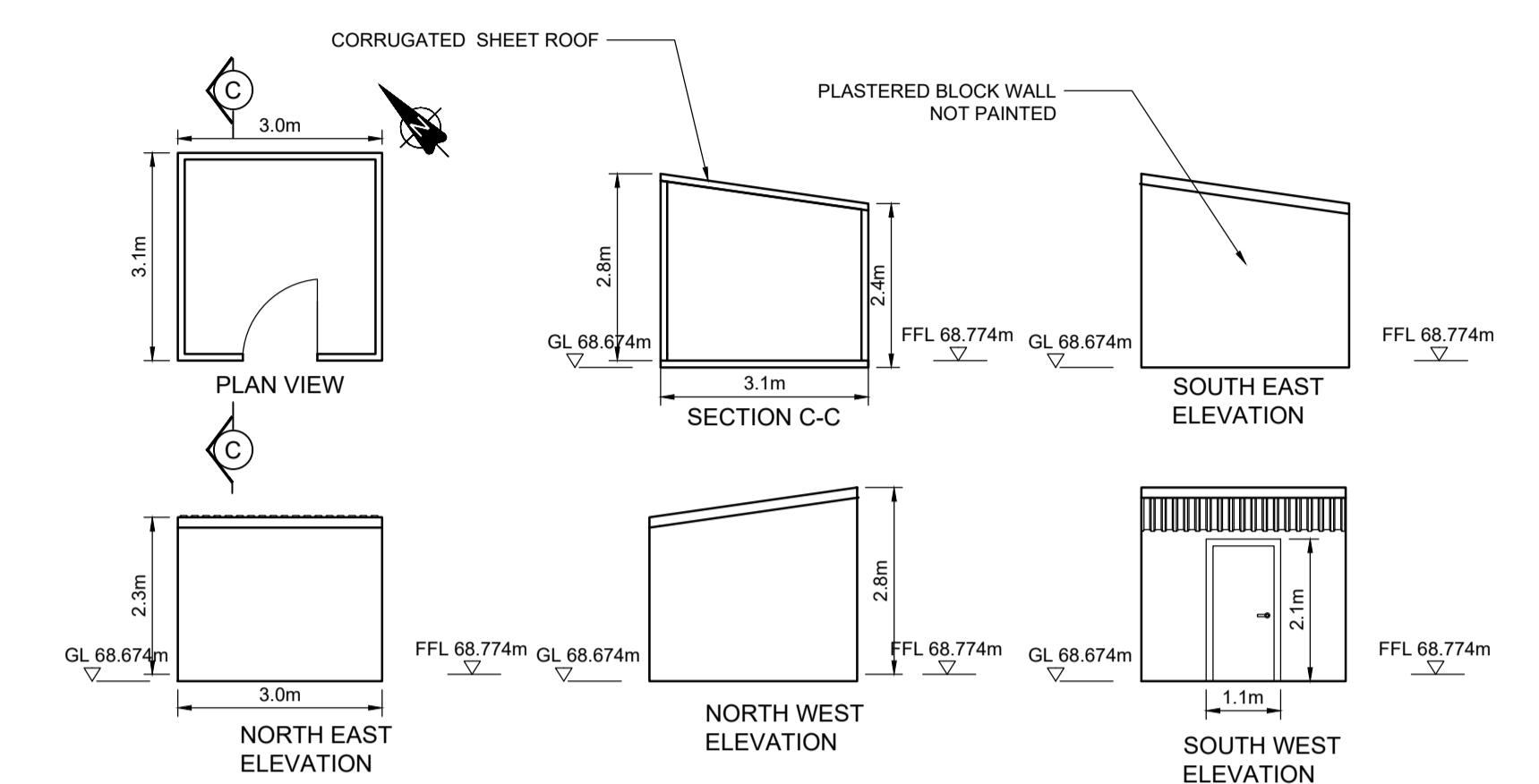


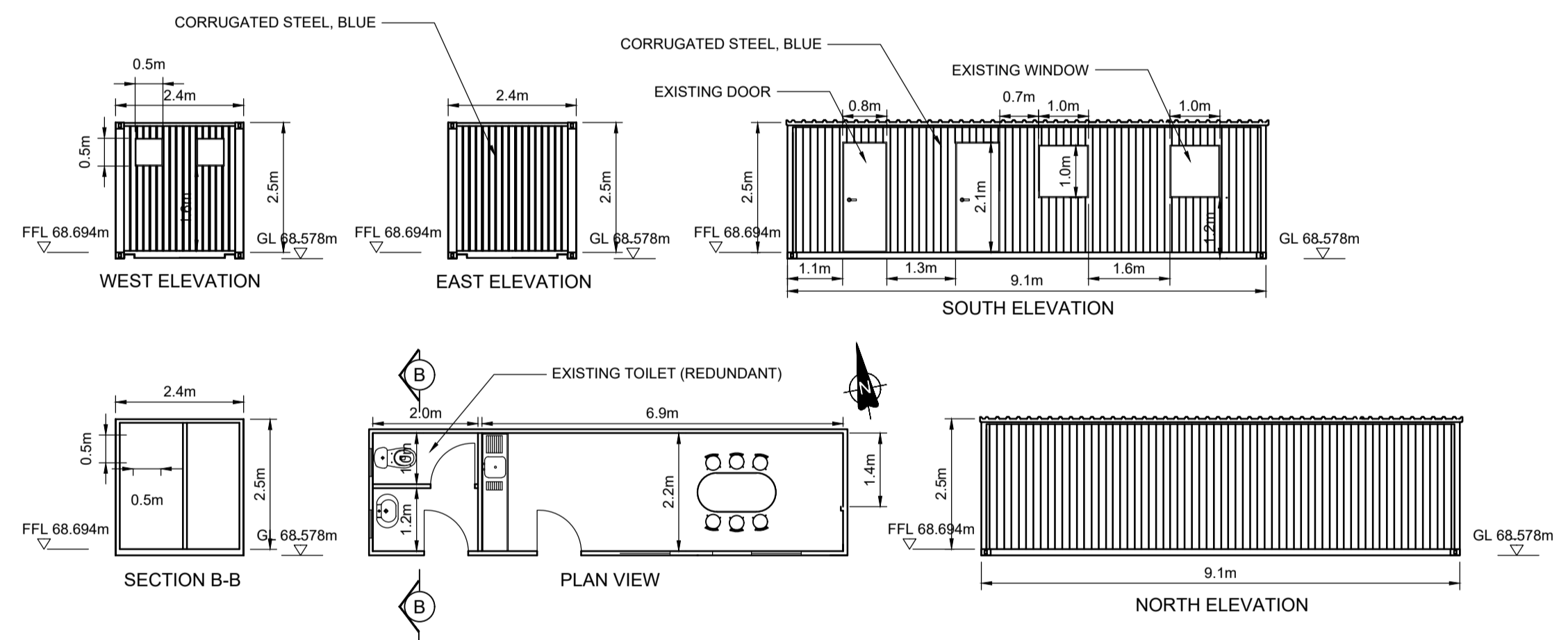
- NOTES:**
1. THIS DRAWING IS FOR PLANNING APPLICATION PURPOSES ONLY.
 2. DRAWING NOT TO BE SCALED. FIGURED DIMENSIONS ONLY TO BE USED.
 3. ALL LEVELS TO MALIN HEAD METRES ABOVE DATUM



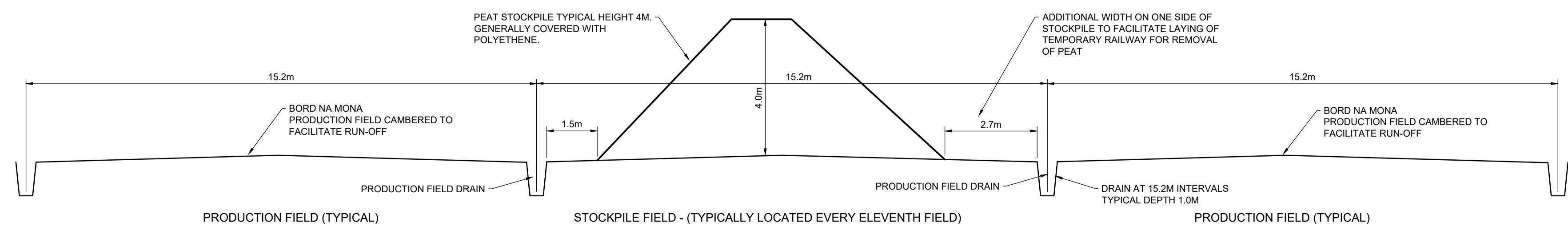
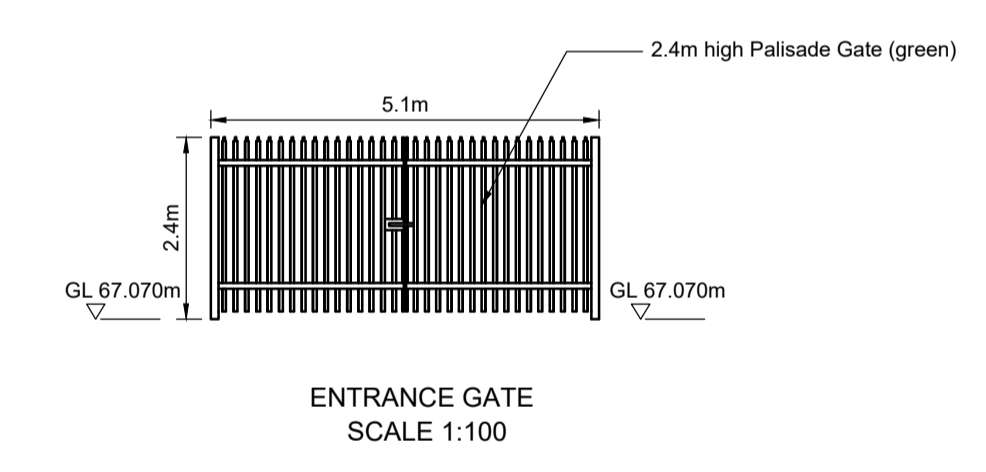
STORAGE CONTAINER
SCALE 1:100



EXISTING BUILDING
SCALE 1:100



WELFARE CONTAINER
SCALE 1:100



TYPICAL SECTION THROUGH PRODUCTION FIELDS
SCALE 1:100

Project: **SUBSTITUTE CONSENT APPLICATION
COOLCRAFF BOG, CO OFFALY**

REVISION	By	Date	Chk'd

Title: BUILDINGS AND STRUCTURES	
Dimensions in METRES	<p>BORD NA MONA Naturally Driven Bord Na Mona Engineering Department LEABEG, TULLAMORE CO. OFFALY Tel: 057 9345900 Fax: 057 9345160</p>
Scale: 1/100 @ A1	
Drawn By: CG 06/04/2020	
Checked By: PN 13/04/2020	
Approved By: DK 20/04/2020	
Revision: SC-0504-CF-DR05	Sheet 1 of 1